

Rainmaking System

administrated project



1998

4-56 2CHOME SHIOYA CHO
TARUMI-KU KOBE
655-0872 JAPAN
PHONE : 078-752-3753
FAX : 078-752-3753

The Group of "Rainmaking System"
Masao Wakita Chairman

THE GROUP OF "Rainmaking System"

4-56 2-CHOME SHIOYA CHO
TARUMI-KU KOBE 655-0872 JAPAN

PHONE : (078) 752-3753
FAX : (078) 752-3753

2018 · 9

EMBASSY OF THE REPUBLIC OF RWANDA

Mr Samuel Bigembe Imanishimwe
Communication Officer



Dear Sirs, Congratulations on the holding of the 3rd World Water Forum.

I am grateful for the opportunity today to be able to present my letter, ideas and research articles. Which is about man-made rainfall (rainfall, snowfall) system, whereby the gradually worsening natural environment can be redeveloped providing for a improved future for mankind.

This revolutionary system utilizes nature to the fullest extent, providing man-made topographical rainfall for only the insufficient portion by constructing a shelter for constantly blowing air consisting of moist air using a steel tower and flexible sheet, and making genuine rainfall or snowfall by forcing an ascending current.

When winds consisting of a large quantity of moist air strike against the mountains, the wind ascends forcibly and is cooled whereby clouds are created on the windward side. In such conditions, a large amount of rainfall or snowfall occurs when a large amount of constantly blowing moist air is forcibly ascended.

In winter, the large rainfall or snowfall in Japan on the Japan seaside is one such phenomenon, and this system creates artificial topographic rainfall similar to the above natural phenomenon.

5000 years ago, in Egypt, on the banks of the African river Nile, from where world civilization started, where water (rainfall) was worshipped as god by the people, the pyramids were constructed to fulfill the desire of the people for water.

However in this land with its stark contrast with heavy rainfall near the origin of the Nile river in the central African mountains of Congo and the highlands of Ethiopia and the scant rainfall of Egypt, the people of Egypt came to consider that a factor for the scant rainfall lay in the placement of the mountains, and the populace with the pharaoh leading decided to make the pyramids in the shape of mountains which they hoped

Today, in various places desertification is widening, and large tracts of forest and greenery is being lost. On the other hand, the world environment is being worsened in other places due to heavy floods.

We must prevent this and moreover promote a solution to the "water" problem all over the world, and realize a system of man-made rainfall which has been the desire of mankind since 5000 years ago and which would guarantee a bright future to the world and mankind.

I request understanding and cooperation for the above.

The Group of "Rainmaking System"

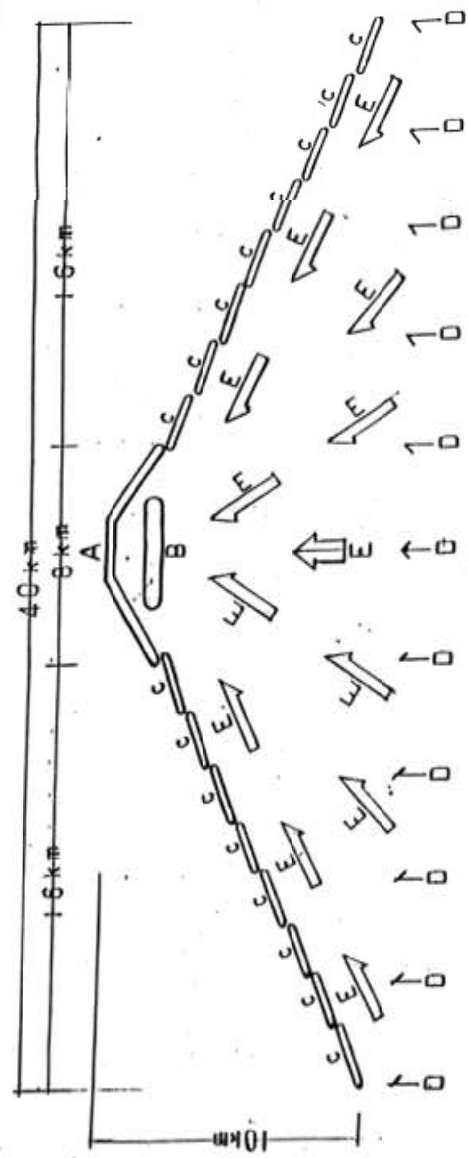
Masao Wakita
Chairman

M. Wakita

Rainmaking System administrated project (plan)

THE GROUP OF "RAIN MAKING SYSTEM"
 4-56 2-CHOME SHIOYA CHO
 TARUMI-KU KOBE
 655-0872 JAPAN
 PHONE : (078) 752-3753
 FAX : (078) 752-3753

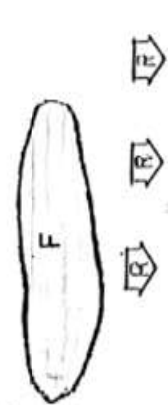
Arrangement / a plane figure



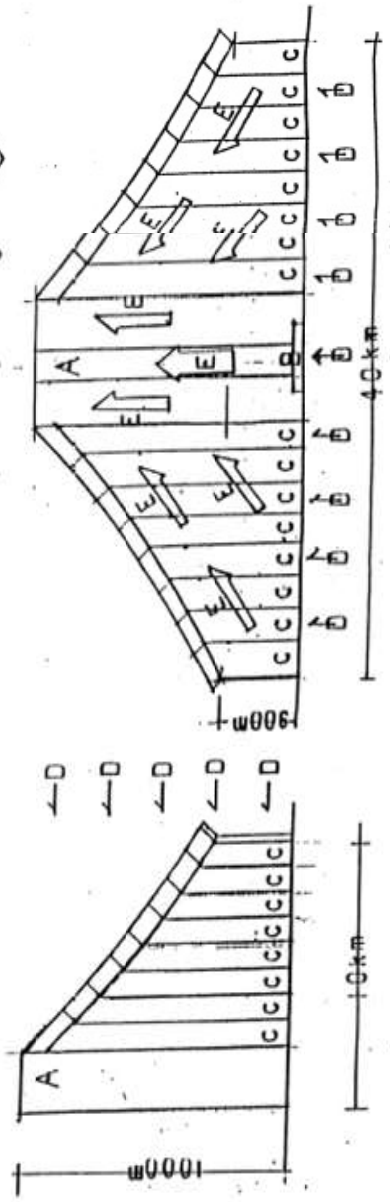
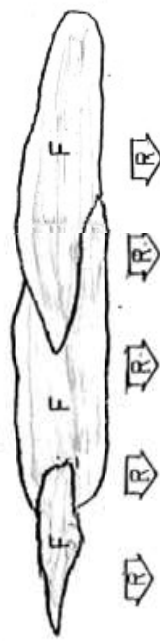
- (A) = This system, 1km height and 8km width, gets a lot of wet wind and makes it go up.
- (B) = This machine gives the air (E), chill or warmth to helps it to go up.
- (C) = This system, 300~1,000m height and 1km width, gets wet wind to go system (A). Angles of the wall are automatically controlled.
- (D) = wet wind
- (E) = wet air
- (F) = rain cloud caused by (A) ~ (E).
- (R) = (F) is given a lot of (D) and (E), and made a heavy rain

We can prevent get downpours and floods by controlling angles of (C).

a side view



a front view



4-56 2-CHOME SHIOYA CHO
 TARUMI-KU KOBE
 655-0872 JAPAN
 PHONE : (078) 752-3753
 F.A.X : (078) 752-3753
 The Group of "Rainmaking System"
 Masao Wakita
 Chairman

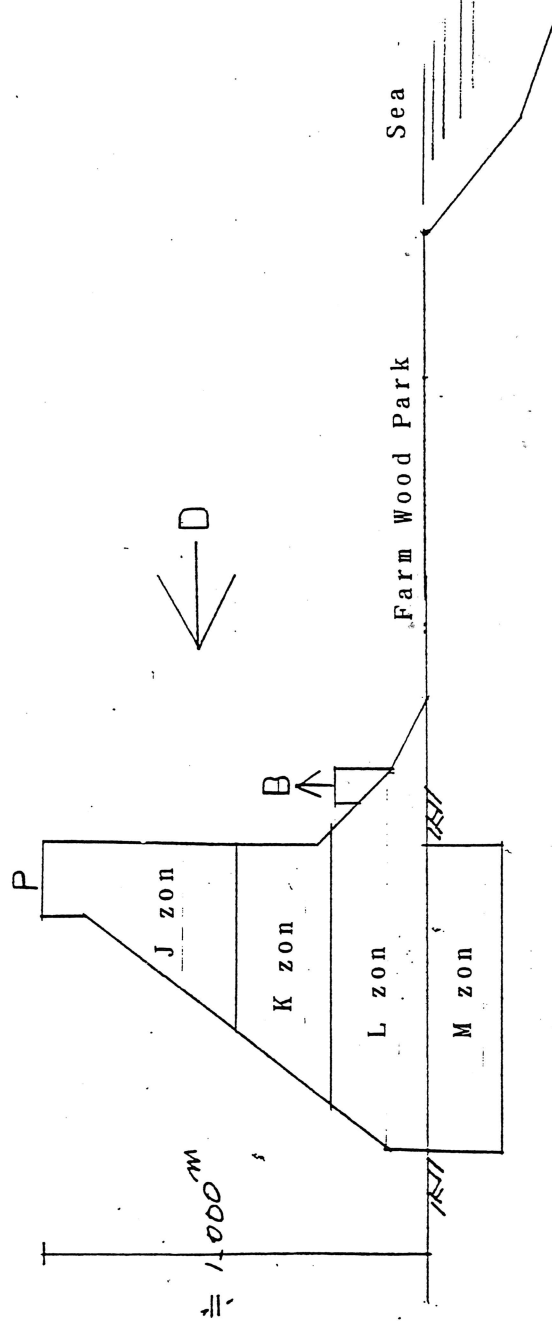
THE GROUP OF "RAINMAKING SYSTEM"

Rainmaking System administrated project (plan)

future town plan

part (A)

case 2



J zon = house dormitory church apartmentetc

K zon = hotel hospital libraryetc

L zon = office theater storeetc

M zon = railroad road storehouse factoryetc

(B) = This machine gives the air, chill or warmth to help it to go up.

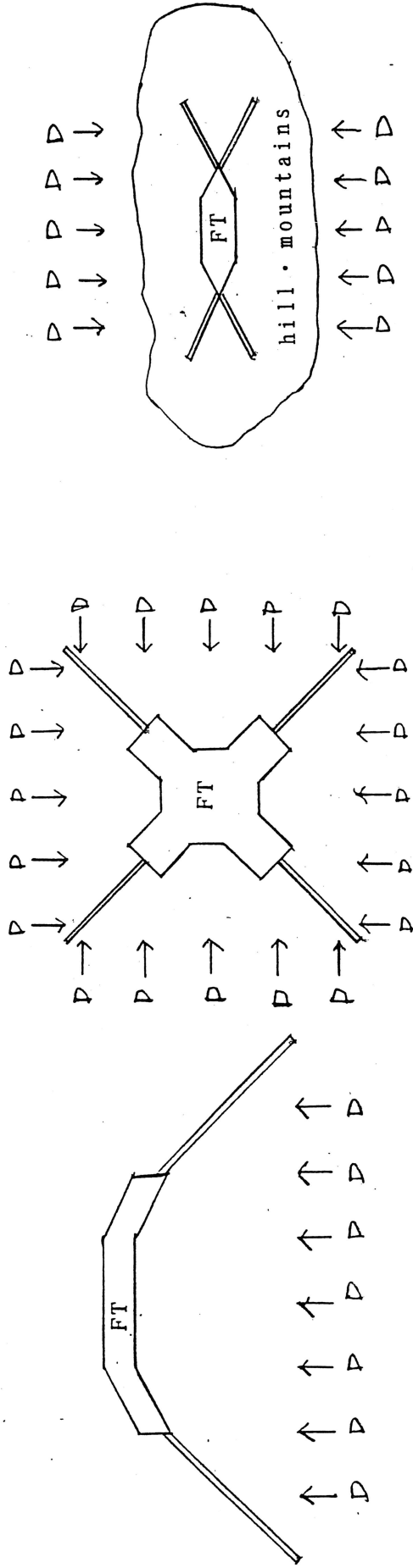
D = wind blows line (wet wind from sea or wood)

P = heliport recreation parketc

length 8~10km

THE GROUP OF "RAINMAKING SYSTEM"

future town plan



curve type

radiation type

straight type

FT=future town

In there are hill and mountains, make use of there height and shape.